

DM Inserts

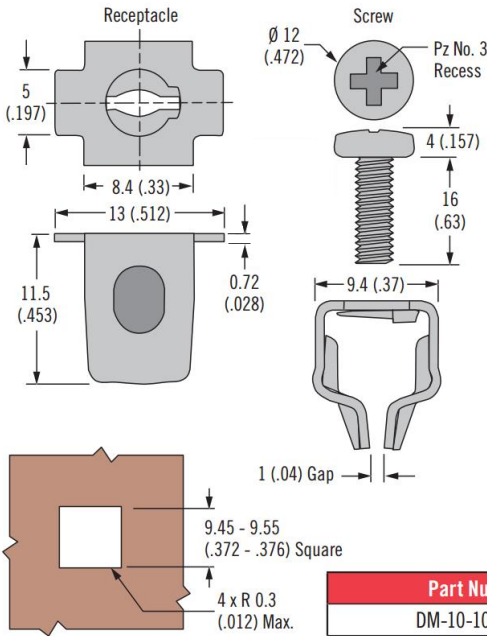
Monosert rack attach

Features

- Front install insert for rack attach applications

Material

- Steel, zinc plated



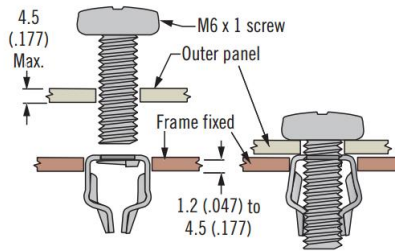
Part Number
DM-10-10216-10

Notes

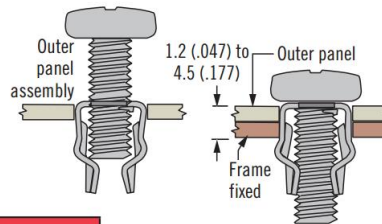
- Max. tightening torque: 2 N.m



Standard Installation



Alternative Installation



DM Inserts

Duosert rack attach

Features

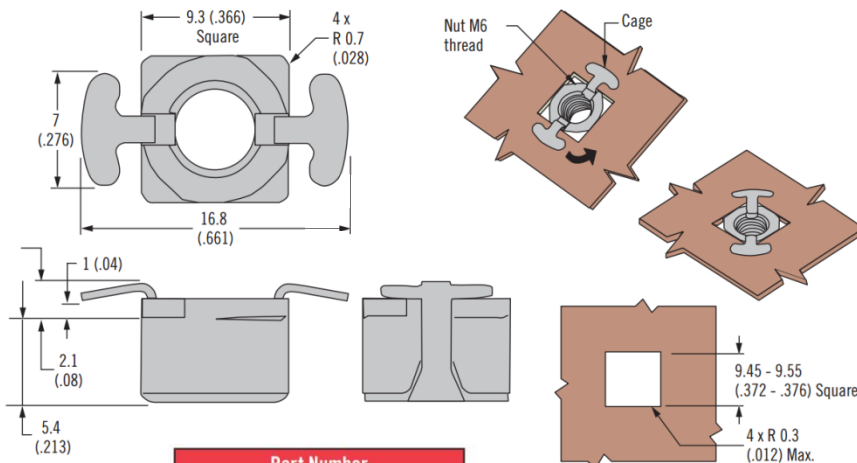
- Front install insert for rack attach applications

Material

- Zinc alloy and stainless steel, natural

Notes

- Max. tightening torque: 10 N.m
- Max. panel thickness: 1 - 1.2
- Recommended installation tool requires a flat blade screwdriver



Part Number
DM-95-10-12-11

Receptacle only. (Screw not supplied)